

# Contemporary high performance exhaust fan

## Flair 150

Exhaust Fan

Designer  
SERIES



- > Modern and sleek low profile design
- > Quiet, high air flow performance
- > Easy to install in confined ceiling spaces
- > Fitted with a non-return back draft damper for energy efficiency compliance



**FANTECH**  
Intelligent Ventilation

# Clears rooms of steam & unpleasant odour

The new Flair ceiling exhaust fan from Fantech has been designed to efficiently clear rooms of steam and reduce the build-up of unpleasant odours in today's contemporary modern home. Its simplistic and sleek looking diffuser will discretely blend into the bathrooms, ensuites and toilets of most homes and small commercial buildings. The Flair's sophisticated low profile design sets it apart from all other ceiling exhaust fans while providing powerful air flow and quiet operation.

The Flair's compact height and side exhaust outlet makes it easy to install into confined spaces such as cathedral ceilings and between floors in homes and apartments. It is fitted with plaster fixing latches to further increase ease of installation and a non-return back draft damper that eliminates outside air coming into the building.

## Features

- Provides powerful air flow and quiet operation
- Diffuser can be easily removed for cleaning
- Convenient ceiling installation using fitted plaster latches or screw-in fixing
- Designed for use with 150mm ducted systems
- Fitted with a non-return back draft damper for energy efficiency compliance
- Certificate of Approval number: SGS-140020-EA
- Electrical supply: 230-240V, single-phase, 50Hz

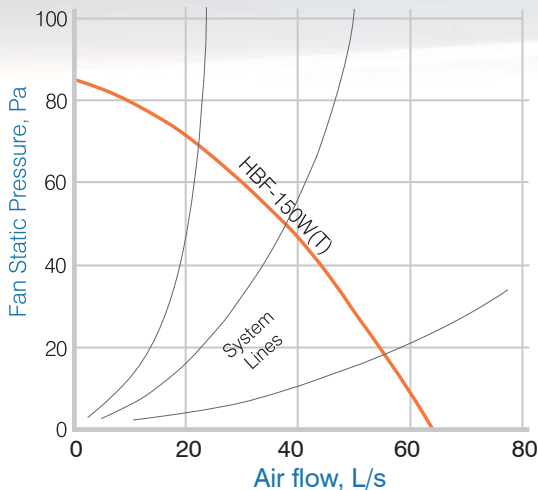
## Technical Data

Model Number	m <sup>3</sup> /hr <sup>†</sup>	L/sec <sup>†</sup>	Fan Speed, rpm	dB(A) @ 3m	Watts
HBF-150W	230	66	1050	35	35
HBF-150WT*	230	66	1050	35	35

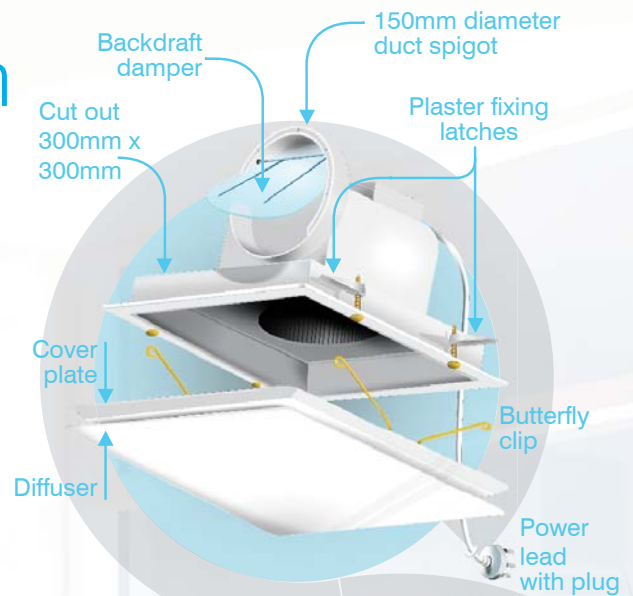
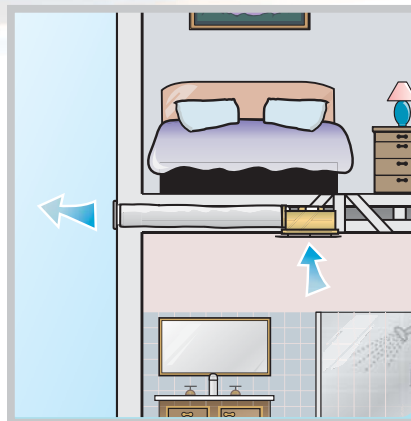
\* Model HBF-150T includes 6 minute run-on timer

† Airflow without duct and fittings

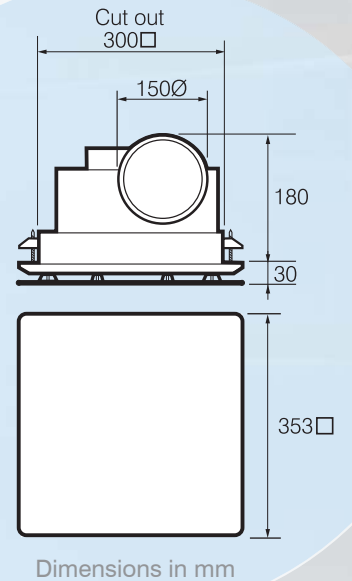
## Performance Curve



## Typical Installation



## Dimensional Drawings



Dimensions in mm

For more information scan the QR code below



[www.fantech.com.au](http://www.fantech.com.au)

For sales enquiries contact:

### Fantech Pty. Ltd.

Victoria: (+61 3) 9554 7845  
 New South Wales: (02) 8811 0400  
 South Australia: (08) 8294 0530  
 Northern Territory: (08) 8947 0447  
 Queensland: (07) 3299 9888  
 Western Australia: (08) 9209 4999  
 A.C.T.: (02) 6280 5511  
 New Zealand: (09) 444 6266  
 South East Asia: (+603) 5121 4453

Specifications and design subject to change without notice.  
 FAN0082 08/14

