



**FANTECH**

**In-Line  
Duct Mounted Fan**

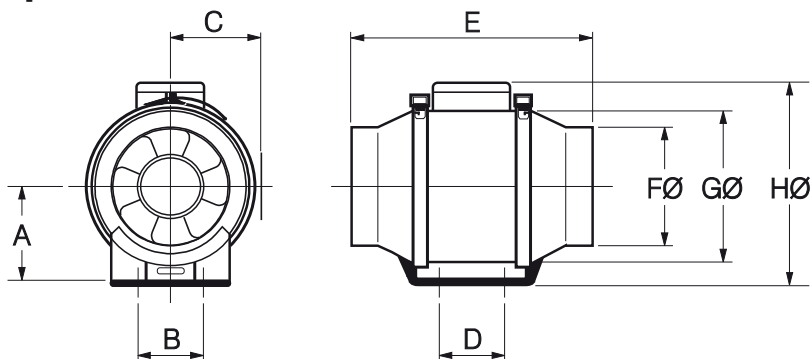
RIL-100

RIL-125

**INSTALLATION & MAINTENANCE  
INSTRUCTIONS**



# Specification



Model	Dimensions							Weight kg
	A	B	C	D	E	F	G	
RIL-100	100	60	88	80	303	97	176	2
RIL-125	100	60	88	80	258	123	176	2

Model	Speed r/min	Electrical Data	
		FLC Amps	Input W
RIL-100 High	2200	0.11	24
RIL-100 Low	1850	0.10	18
RIL-125 High	2250	0.13	30
RIL-125 Low	1900	0.10	22

## General

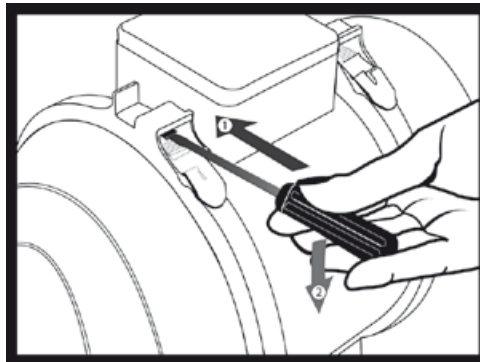
- 1.1. It is important that these Installation and Maintenance Instructions are fully adhered to.
- 1.2. All electrical installations must be carried out by a suitably qualified and competent personnel in accordance with all statutory requirements.
- 1.3. The fan is designed for use in an ambient temperature of up to 40°C. It is not suitable for corrosive or explosive atmospheres.
- 1.4. The installer should provide easy access to the fan to facilitate future maintenance, and ensure that the fan is adequately supported.

- 1.5 This product is not intended for use by persons (including children) with reduced physical sensory or mental capabilities, or lack of experience and knowledge, unless they have been given supervision or instruction concerning use of the product by a person responsible for their safety. Children should be supervised to ensure that they do not play with the product.
- 1.6 Precautions must be taken to avoid back-flow of gases into the room from the open flue of gas or other fuel burning appliances.
- 1.7 A minimum of one (1) metre of duct is to be fitted to the fan inlet and discharge spigots.
- 1.8 To avoid a hazard, a damaged supply cord must be replaced by the manufacturer.

## Installation

**Warning:** The fan must be isolated from the power supply during installation and maintenance.

- 2.1. Upon receipt, the fan should be inspected for any damage.
- 2.2. Check the details on the rating plate to ensure that the correct power supply is available
- 2.3. Means for electrical disconnection must be incorporated in the wiring installation in accordance with the relevant wiring regulations.
- 2.4. Remove the fan body from the spigots that are attached to the base, by releasing the two retaining clamps RIL-100 / RIL-125.



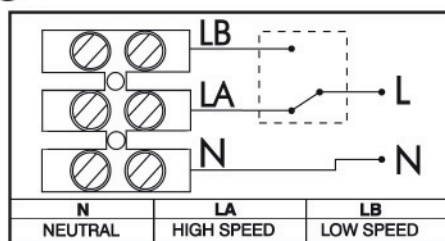
## Installation (cont)...

- 2.5. Mount the base in the desired position using the fasteners supplied.
- 2.6. Replace the fan body in-between the spigots and tighten the two retaining clamps.

## Fan Maintenance

- 3.1. Inspect the fan at least once every 12 months to ensure that the motor and fan blades are clean. Any build up of dust should be removed using a non-abrasive cleaner.
- 3.2. All fastenings should be checked for tightness.
- 3.3. Bearings are of the 'sealed for life' type and will not need a detailed inspection.

## Wiring Diagram



## Contact Us

	<b>Fantech Contacts</b>	
	<b>Head Office</b> Victoria - Melbourne A.B.N. 11 005 434 024 Ph: +61 (3) 9554 7845 Fax: +61 (3) 9554 7833 Email: info@fantech.com.au	<b>New Zealand</b> Auckland H.O. (09) 444 6266 Christchurch (03) 379 8622 Wellington (04) 566 0532
<b>Australia</b> Adelaide (08) 8294 0530 Brisbane (07) 3299 9888 Darwin (08) 8947 0447 <b>Melbourne H.O. (03) 9554 7845</b> Perth (08) 9209 4999 Sydney (02) 8811 0400	<b>Asia</b> For agents in the Asian region call (603) 7846 0340 or visit <a href="http://www.eltafantechasia.com">www.eltafantechasia.com</a>	<b>www.fantech.com.au</b>