

## PRESSURE CONTROLLER



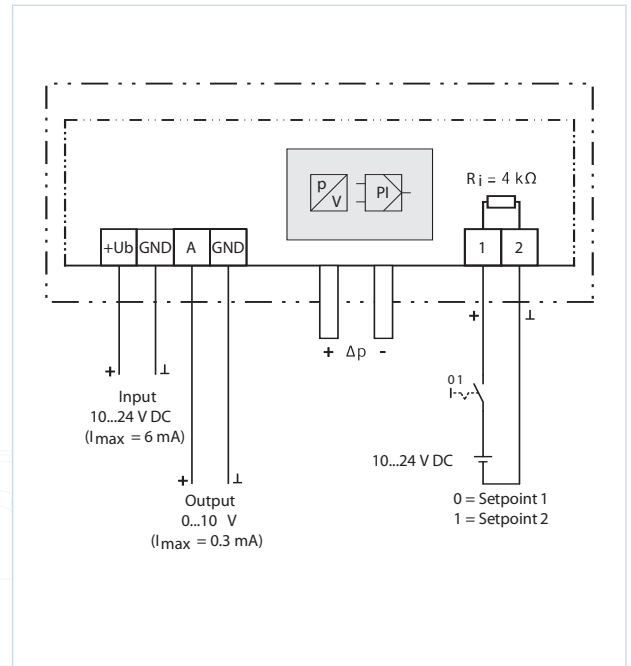
### DESCRIPTION

The differential pressure controller (non-aggressive gas) can be configured with four measuring ranges. Depending on the desired set point value and control range, the sensor control module generates 0-10 V to control the EC fan.

### Features

- Quick and easy to install and commission
- Pre-set parameters control the fan's speed in proportion to demand
- 24V supply from control unit
- Digital input (10-24V DC) for switch over between Set point 1 and Set point 2 (e.g. for day / night, summer / winter)

### WIRING DIAGRAM



### TECHNICAL DATA

Model Number	Measuring Range	Mount Type	Protection Class	Dimensions, mm
<b>DCV-CU-CPG-200AV</b>	0-50 / 100 / 150 / 200 Pa	Wall	IP54	114W x 108H x 56D
<b>DCV-CU-CPG-1000AV</b>	0-200 / 300 / 500 / 1000 Pa	Wall	IP54	114W x 108H x 56D

## 0-10V EC SPEED CONTROLLER



Wall mounted



Standalone

### TECHNICAL DATA

Model Number	Max. mA	Mounting	Dimensions, mm
<b>DCV-POT10K-WM</b>	25	Recess	72W x 117H x 40D
<b>DCV-POT10K-FM*</b>	25	Standalone	110W x 35H x 135D

\*The DCV-POT10K-FM is designed to be mounted on or near the fan enclosure.

### DESCRIPTION

The manually adjustable, 0-10V speed controller has been specially developed for stepless speed adjustment of EC fans that accept a 0-10V control signal. It is available as a wall mount switch plate and a standalone controller for mounting on or near the fan enclosure.

### Features

- Quick and easy to install.
- Incorporates an enable/disable switch.
- EC fans with integrated speed control can be activated directly.

### Note

The 0-10V speed controller is designed for 10VDC only. It requires a 10V (25mA) power supply.

### WIRING DIAGRAM

