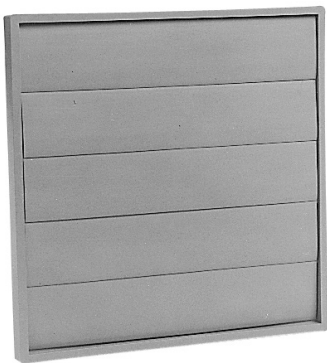


# BACKDRAFT SHUTTERS - TYPE WSK



## DESCRIPTION

WSK shutters are airstream-operated and designed for surface mounting.

Flaps have an aerofoil section with the weight concentrated at the pivot point. This feature ensures easy opening and minimal pressure drop.

Units are screw fixing and suitable for internal or external wall or duct mounting in the vertical plane.

## Features

- Moulded in impact-resistant UV-stabilised PVC.
- Nylon spindles give silent and maintenance-free operation.
- Generally used for exhaust applications. Maximum air velocity, 11m/s.
- Finished in a grey colour.
- No parts to corrode.

## Testing

Air flow tests based on ISO5801:2007.

## SELECTION TABLE

Ring Plate & Vogue Series fans RP/VCW	Duct mounted fans. Suit duct dia. mm.	Shutter Model
-	125	<b>WSK12</b>
132	150	<b>WSK15</b>
202/4	200	<b>WSK20</b>
-	250	<b>WSK25</b>
252/4	300	<b>WSK30</b>
302/4/6	-	<b>WSK30</b>
354/6	-	<b>WSK35</b>

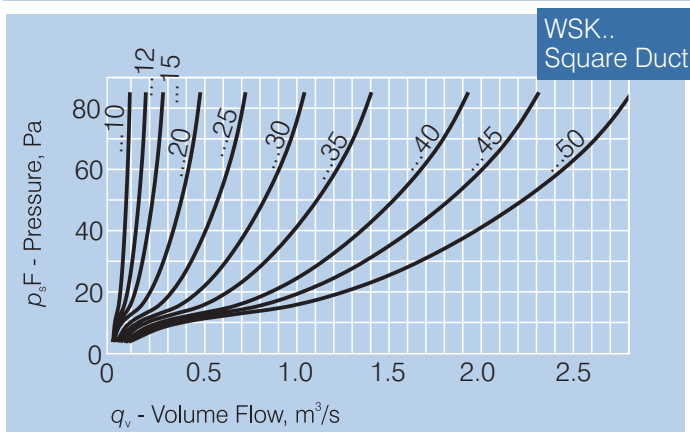
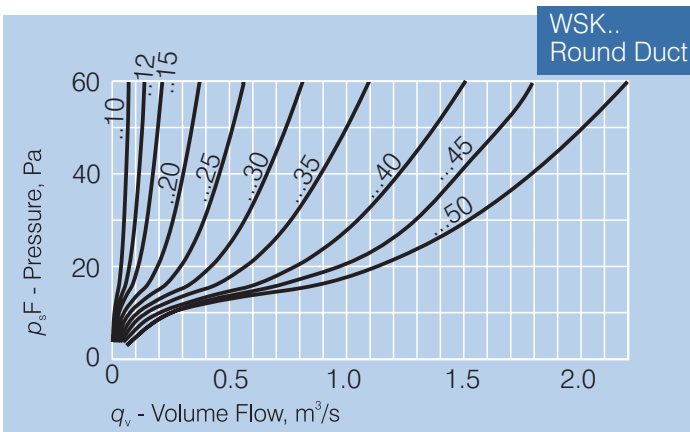
The above are only typical selections, as the shutters may be used with other fan types or over openings having dimensions generally conforming to dimension D in the dimension section.

## SUGGESTED SPECIFICATIONS

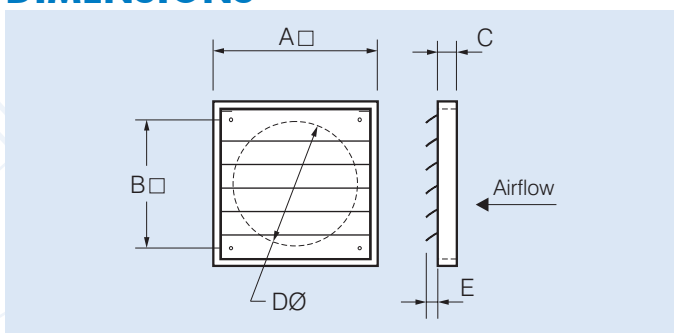
The Air-operated backdraft shutters shall be of the WSK series as supplied by Fantech and be of the model number shown on the schedule/drawing.

They shall be manufactured of UV-stabilised PVC and include nylon spindles.

## PRESSURE LOSS GRAPH



## DIMENSIONS



Model WSK..	Dimensions, mm				
	A	B	C	DØ	E
<b>10</b>	123	90	12	93	30
<b>12</b>	160	110	15	129	30
<b>15</b>	194	140	22	159	27
<b>20</b>	242	182	21	210	27
<b>25</b>	294	232	26	258	40
<b>30</b>	347	276	26	310	45
<b>35</b>	397	310	26	360	40
<b>40</b>	462	364	26	422	75
<b>45</b>	501	395	31	462	65
<b>50</b>	549	455	31	510	70

## HOW TO ORDER

Select the required unit from the selection or dimension tables shown above.



Scan the QR Code to view more information online.

