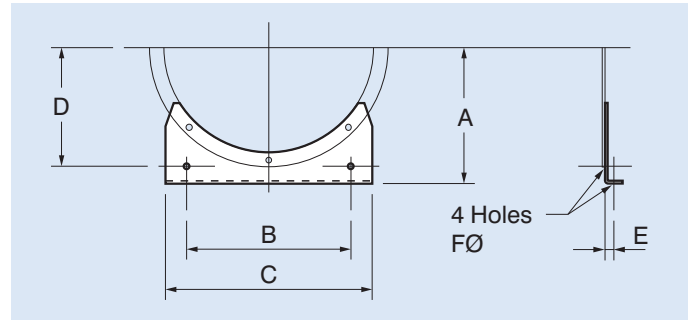


F/CFT - AXIAL FAN MOUNTING FEET



FEATURES

All feet are galvanised steel and designed to support the fan and/or attenuator horizontally.

Should the installation require the fans to be installed in a vertical plane please contact Fantech.

Bolt-on feet are generally supplied loose in pairs.

DIMENSIONS & SELECTION TABLE

FEET FOR AXIAL FLOW FANS

Axial Fans Model*	Mounting Feet Part No.	Dimensions, mm					
		A	B	C	D	E	FØ
031.	F031	200	265	315	180	25	13
040.	F040	250	350	400	230	25	13
050.	F050	315	450	500	290	25	13
056.	F056	355	510	560	330	25	13
063.	F063	400	580	630	375	25	13
071.	F071	450	660	710	425	25	13
080.	F080	500	750	800	475	25	13
100.	F100	630	950	1000	595	50	15
125.	F125	780	1200	1250	745	50	15
140.	F140	813	1300	1400	773	50	15
160.	F160	950	1500	1600	900	50	15
180.	F180	1050	1700	1800	1000	50	15
200.	F200	1150	1900	2000	1100	50	15

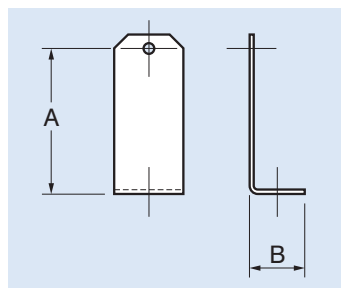
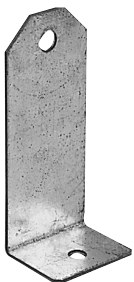
* Suits adjustable pitch axial fans and associated attenuators.

FEET FOR SHORT CASE AXIAL FANS

Short Case Model*	Mounting Feet Part No.	Dimensions, mm					
		A	B	C	D	E	FØ
SCD/E.25..	CFT025	175	190	250	160	25	13
SCD/E.31..	CFT031	216	255	315	201	25	13
SCD/E.35..	CFT035	238	255	355	218	25	13
SCD/E.40..	CFT040	267	300	400	247	25	13
SCD/E.45..	CFT045	285	350	450	265	25	13
SCD/E.50..	CFT050	316	400	500	296	25	13
SCD/E.56..	CFT056	391	460	560	371	25	13
SCD/E.63..	CFT063	427	530	630	407	25	13

* Suits fixed pitch short case axial fans and associated attenuators

FT - IN-LINE MOUNTING FEET



FEATURES

These in-line mounting feet are designed to support the assemblies in a horizontal plane. If feet are required to support the fans in a vertical plane please contact Fantech.

Four pieces make up a set.

DIMENSIONS & SELECTION TABLE

PowerLine & Powerline			Dimensions, mm	
Ultra Model PCD/E...	Multiflow Model MMD/E...	In-line Foot Part No.	A	B
25./50.	31./50.	FT2	105	40
56./71.	56./80.	FT3	120	60