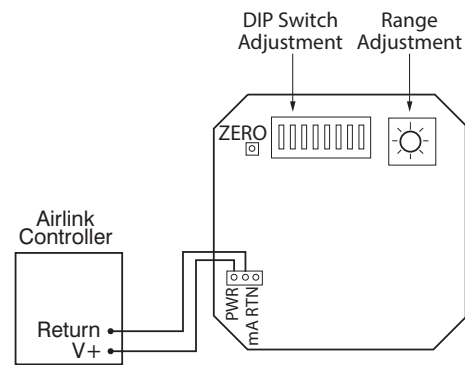


# AIRLINK DUCT PRESSURE SENSOR



## Wiring Diagram



2-wire, 4-20 mA Current Loop Output

## DESCRIPTION

This Duct Pressure Sensor is used when an AirLink Controller is installed with Rickard Electronic Variable Air Volume (VAV) Diffusers.

### Features

- Measures static pressure in duct.
- DIP switch adjustment for required settings.
- Rotary switch to desired range.
- 1 sensor per Controller kit.
- IP65 Protection Class.

### DIP switch

#### DIP Switch 1: Scale

ON = Pascal (m/s), OFF = In. WC (ft/min)

#### DIP Switch 2: Mode

ON = Velocity, OFF = Pressure

#### DIP Switch 3: Direction\*

ON = Unidirectional, OFF = Bidirectional

#### DIP Switch 4: Response

ON = Slow, OFF = Fast

#### DIP Switch 5: Output

ON = 4-20 mA, OFF = Voltage

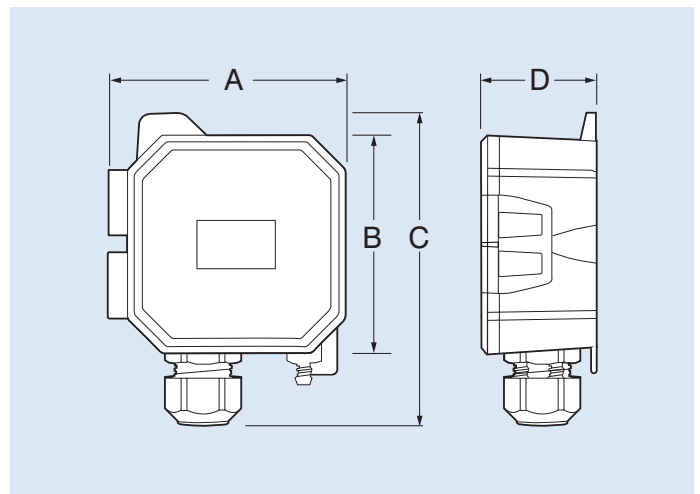
#### DIP Switch 6: Volt Scale

ON = 0-5 Vdc, OFF = 0-10 Vdc

#### DIP Switch 7 & 8: Unused

\*Velocity mode is unidirectional regardless of DIP switch setting

## DIMENSIONS



Model Number	Dimensions, mm			
	A	B	C	D
DCV-SENS-PSDM250	88	78	112	42