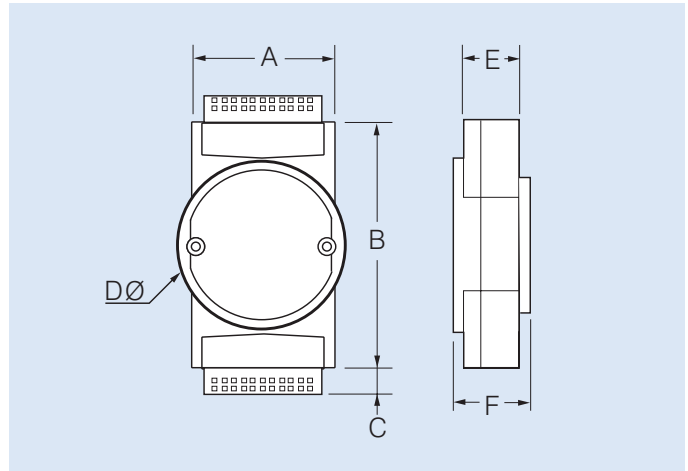


# COMLINK REPEATER MODULE



## DIMENSIONS



## DESCRIPTION

The ComLink Repeater Module simply amplifies, or boosts an existing RS485 communications network in distance and in device configuration. Where RS485 has the electrical limitation of 32 connected devices (by Modbus standard), a repeater can be used to increase this amount. The module can also be used where the ComLink line branches off, such as a multi-level car park where one repeater is used per level for better noise suppression and a good quality communication signal.

## Features

- Automatic RS485 data flow control
- Surge protection RS485 data line
- Transmission speed up to 115.2 Kbps
- Networking up to 1000 metres
- LED indicator to monitor status

Model Number	Dimensions, mm						Kit includes
	A	B	C	DØ	E	F	
DCV-CU-REPEATER1	60	100	10	70	22	32	ComLink repeater module with DIN mount, panel mount bracket, connectors, install guide

## EXAMPLE – 3 CAR PARK LEVELS

