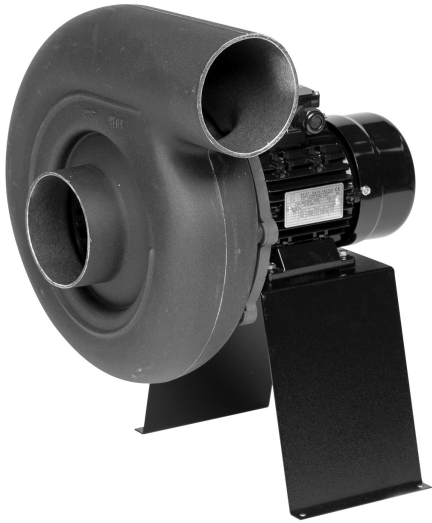
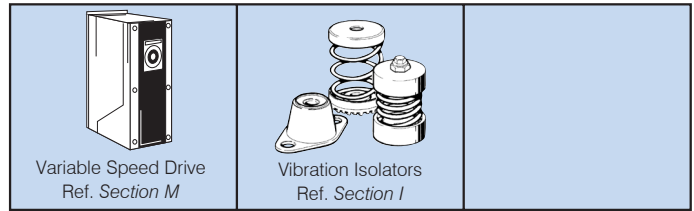


## ANCILLARY EQUIPMENT



## SUGGESTED SPECIFICATION

The centrifugal extraction fans shall be of the STORM Fan series as supplied by Fantech Pty. Ltd. and be of the model numbers shown on the schedule/drawing.

The housings and impellers shall be made from high density, UV treated polypropylene that is resistance to chemical corrosion. Impellers shall be forward-curved and the cowl preset to 1 of 8 discharge positions, rotated by 45° increments.

The centrifugal extraction fan shall be driven by a direct drive motor and designed to operate with a variable speed controller or variable speed drive

They shall be fitted with inlet spigot and discharge flange, and come standard with an epoxy coated metal stand.

Air flow test data shall be based on ISO5801:2017. Noise test data shall be based on ISO 13347.

## HOW TO ORDER

Storm Series product codes are made up as follows, not all combinations are possible.

Type	Size	Speed	Motor	Power	Handing	Angle
STORM	12	2	B	003	LG	135

### Type

STORM Series

### Inlet/Discharge diameter

10 = 75mm  
12 = 90mm  
14 = 125mm  
16 = 160mm

Fan Speed, no. of poles 2, 4

### Motor Type

Three Phase B  
Single Phase S

### Motor Power

0006 = 0.06kW 002 = 0.25kW 007 = 0.75kW 022 = 2.2kW  
0009 = 0.09kW 003 = 0.37kW 011 = 1.1kW  
001 = 0.18kW 005 = 0.55kW 015 = 1.5kW

### Handing Arrangements

Left LG

Angle, 45° increments:  
0, 45, 90, 135, 180, 225,  
270, 315

## Handing Arrangements

Handing with IP55 motor type are viewed from inlet side - 45 degree adjustable



LG 0



LG 45



LG 90



LG 135



LG 180



LG 225



LG 270



LG 315

## DESCRIPTION

The STORM Series is a low air volume centrifugal type fan suitable for operation in corrosive applications such as fume capture arms, gas scrubbers or chemical cabinets.

There are 4 models in the range to suit duct diameters from 75 to 160mm.

## Features

- Cowl rotates to 8 discharge positions by 45° increments
- LG handing only
- Air flows up to 500L/s
- Static Pressures up to 1950Pa
- High density, UV treated polypropylene housing and impeller
- Epoxy coated metal stand
- Forward curved centrifugal impeller
- Direct drive, asynchronous motor, single or three phase, IP55
- Explosion proof fans available on request
- Recommended up to 60°C

## Construction

High density, UV treated polypropylene housing and impeller that are resistance to chemical corrosion. Black epoxy coated metal stand.

## Internal thermal Protection

Can be provided as an optional extra.

## Wiring Diagram

See N-6/7, diagrams DD1,2,3,8

## Motors

Type - squirrel cage induction motor  
Electricity supply – Motors to suit a wide range of voltages and frequencies can be supplied  
Bearings - sealed-for-life, ball  
Can be fitted with speed-controller  
See pages O-2/3 for details on these motors

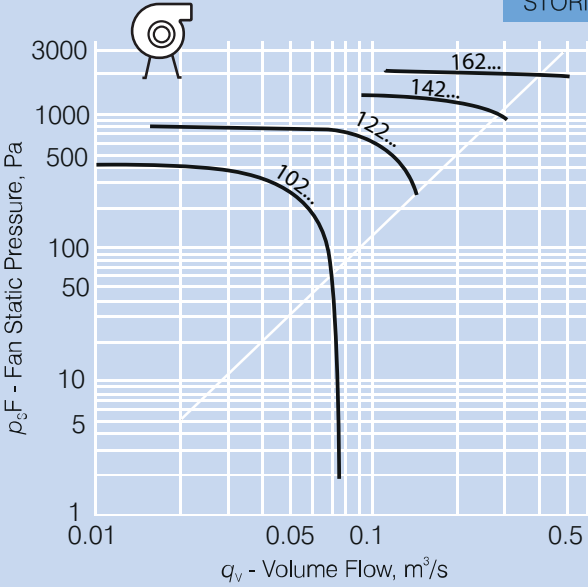
## Testing

Air flow tests to ISO5801:2017  
Noise tests to ISO 13347

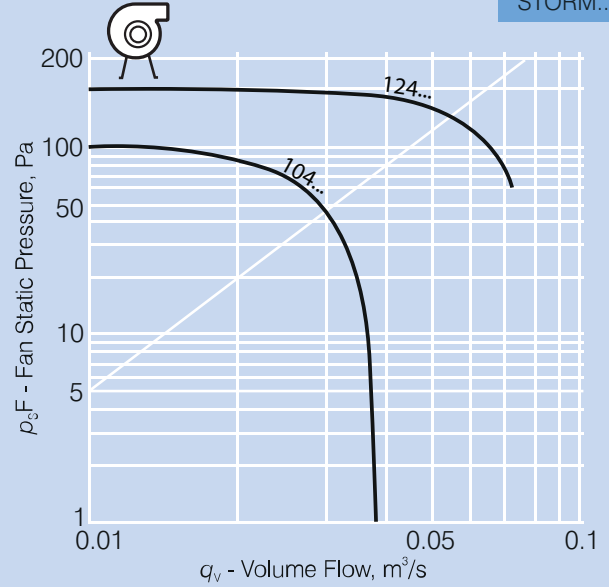
## Special Note

Motor cover is recommended for all outdoor installations

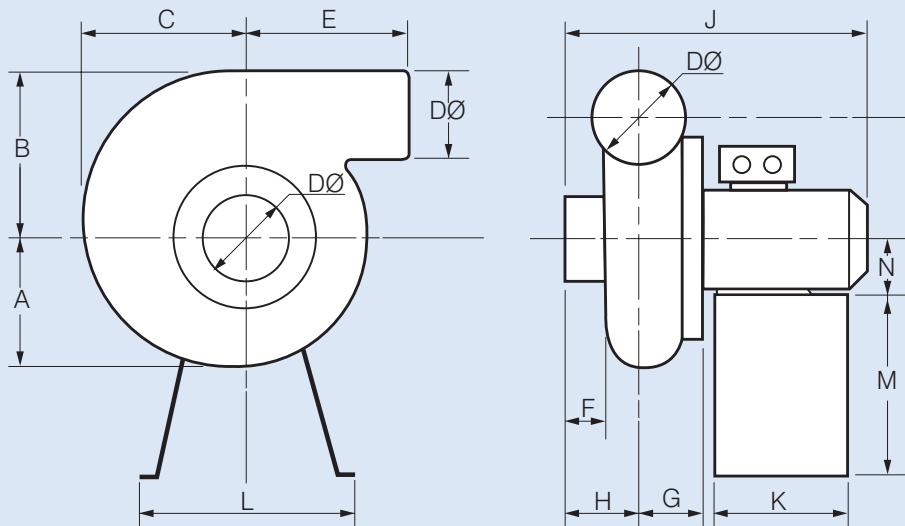
2 POLE  
STORM...



4 POLE  
STORM...



## DIMENSIONS



Model STORM...	Dimensions, mm												
	A	B	C	DØ	E	F	G	H	J	K	L	M	N
10..	115	135	127	75	158	32	57	48	253	150	300	200	56
12..	145	175	163	90	212	45	80	72	350	180	340	240	71
14..	188	232	227	125	218	55	110	83	433	180	340	240	80
16..	235	288	278	160	262	40	100	97	477	240	420	300	90

# SEAT FANS - STORM SERIES



## TECHNICAL DATA

Model STORM...	Fan Speed rev/sec	Avg. dB(A) @ 3m*	1 ph kW	Amps	3 ph kW	Amps	Max. amb °C**	App. Wt. kg	Handling
102	48	51	0.09	0.80	0.09	0.41	60	5.3	LG
104	24	36	0.06	0.57	0.06	0.30	60	3.5	LG
122	48	60	0.37	2.70	0.37	1.04	60	7.4	LG
124	24	45	0.25	2.20	0.25	0.90	60	7.3	LG
142	48	66	1.10	6.70	1.10	2.40	60	15.7	LG
162	48	70	-	-	2.20	4.61	60	22.6	LG

\* Inlet Sound Levels

\*\*Max temperature of air in duct

## NOISE DATA

Model STORM...	Type	Avg. dB(A) @ 3m	In-duct Sound Power Levels Lw dB re 1pW							
			63	125	250	500	1k	2k	4k	8k
102	Inlet	51	72	72	70	66	69	60	55	49
	Outlet	55	92	77	68	75	70	62	57	48
104	Inlet	36	57	57	55	51	54	45	40	34
	Outlet	40	77	62	53	60	55	47	42	33
122	Inlet	60	77	74	70	75	78	71	65	58
	Outlet	64	100	76	78	83	79	74	69	62
124	Inlet	45	62	59	55	61	63	56	50	44
	Outlet	49	85	61	64	68	64	59	54	47
142	Inlet	66	83	77	82	81	82	77	79	68
	Outlet	69	89	85	91	84	86	81	77	71
162	Inlet	70	86	84	85	85	86	85	80	78
	Outlet	70	86	84	85	85	86	85	80	78

