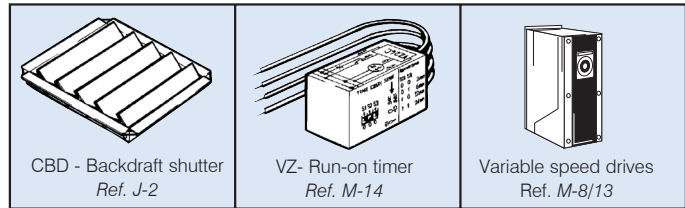


## ANCILLARY EQUIPMENT



CBD - Backdraft shutter  
Ref. J-2

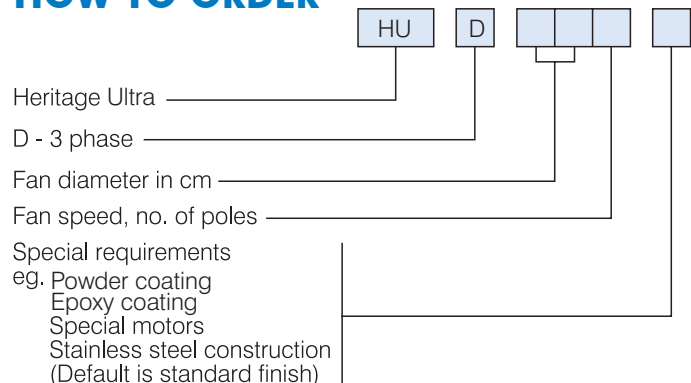
VZ- Run-on timer  
Ref. M-14

Variable speed drives  
Ref. M-8/13

## NOISE DATA

Model HUD..		In-Duct Spectrum Corrections, dB							
		63	125	250	500	1k	2k	4k	8k
254	Inlet	63	61	57	58	56	51	43	39
	Outlet	61	65	63	62	59	59	48	43
284	Inlet	60	62	61	62	58	54	47	45
	Outlet	59	67	66	66	63	62	53	48
314	Inlet	66	68	66	66	62	57	52	49
	Outlet	64	71	70	70	67	64	57	55
316	Inlet	58	61	58	58	53	47	40	32
	Outlet	56	62	63	60	58	55	49	43
354	Inlet	72	70	73	68	65	59	54	51
	Outlet	71	75	74	72	70	66	59	56
356	Inlet	65	69	68	64	56	53	48	40
	Outlet	64	71	71	66	62	60	57	49
404	Inlet	70	78	74	72	69	66	61	60
	Outlet	76	83	79	77	75	71	67	64
406	Inlet	66	72	67	64	57	57	52	44
	Outlet	66	74	72	68	64	62	60	52
454	Inlet	71	81		74	69	67	62	61
	Outlet	78	83	79	79	77	74	69	61
456	Inlet	64	74	70	66	60	60	54	46
	Outlet	68	74	71	70	67	63	56	46
504	Inlet	81	84	79	78	72	69	64	67
	Outlet	81	91	85	83	79	74	70	67
506	Inlet	69	77	72	69	63	62	57	51
	Outlet	75	78	74	73	70	65	58	48
508	Inlet	70	66	65	62	55	52	46	37
	Outlet	70	67	66	66	62	55	46	36
564	Inlet	78	83	81	79	77	71	66	67
	Outlet	81	88	86	86	85	77	72	70
566	Inlet	71	78	74	70	66	63	58	54
	Outlet	72	78	75	75	71	66	59	49
568	Inlet	67	69	66	64	59	54	47	39
	Outlet	69	70	68	69	65	56	48	36
634	Inlet	85	91	88	84	82	76	71	71
	Outlet	88	96	92	92	87	81	76	72
636	Inlet	69	79	77	72	66	64	60	57
	Outlet	72	81	79	79	72	67	61	51
638	Inlet	69	72	71	66	63	59	53	49
	Outlet	74	74	72	73	68	61	52	42

## HOW TO ORDER



## DESCRIPTION

The Heritage Ultra Series of vertical exhaust roof units has been designed for use in ducted exhaust applications. It features a high performance Mixed-Flow fan and removable windband which makes cleaning and maintenance easy.

There are 9 sizes in the series extending from 250 to 630mm diameter.

### Typical Applications

Can exhaust air for applications such as commercial kitchens and bakeries. Can also exhaust toxic gases in industrial applications.

### Features

- Durable galvanised steel construction.
- Designed to handle clean air, grease laden air, toxic and noxious gases.
- Motor is mounted out of the airstream.
- Special finishes, such as powder coating and epoxy coating can be supplied as an optional extra.
- Available in a range of speeds to suit specific applications.
- Windband can be easily removed to allow easy access for cleaning and maintenance.
- Can be mounted at angles up to 15°.

### Construction

Cowls are of galvanised steel and can be powder coated as an optional extra.

Impellers are Mixed-Flow design.

Windband is fitted with quick-release toggle clamps to facilitate cleaning and maintenance.

Stainless steel construction is an optional extra.

### Motors

Type - standard TEFC squirrel cage induction motors.

Electricity supply - three-phase to suit a wide range of voltages and frequencies.

Bearings - sealed-for-life, ball.

Speed-controllable using variable speed drives.

Multi-speed motors can be supplied.

### Internal Thermal Protection

Thermistors can be fitted on request

### Testing

Air flow to ISO 5801: 2007

Noise tests based on ISO13347-3

### Wiring Diagram

See pages N-6/7 diagrams DD 1, 2, 3, 7, 8.

## SUGGESTED SPECIFICATION

The roof ventilators shall be of the Heritage Ultra vertical exhaust series as designed and manufactured by Fantech Pty. Ltd and be of the model numbers shown on the schedule/drawing.

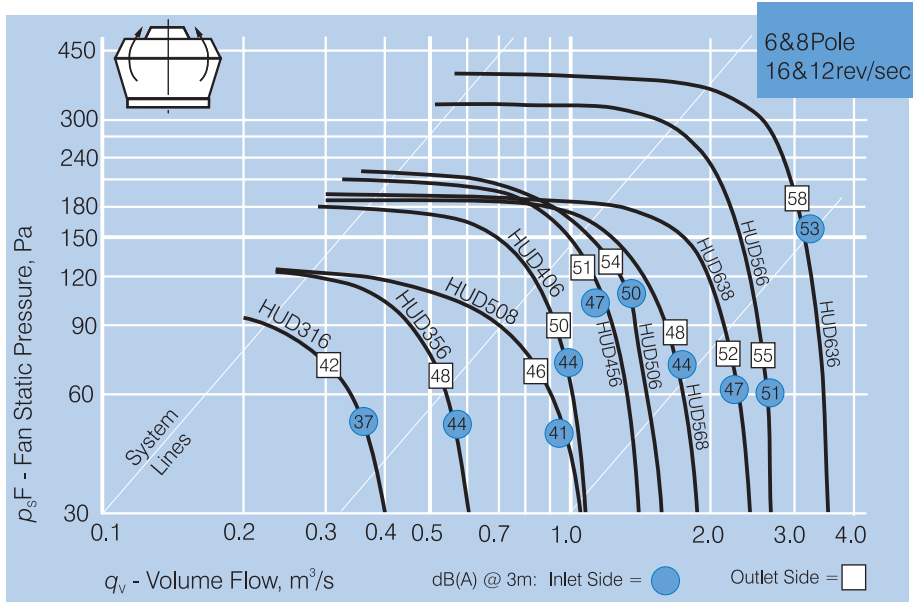
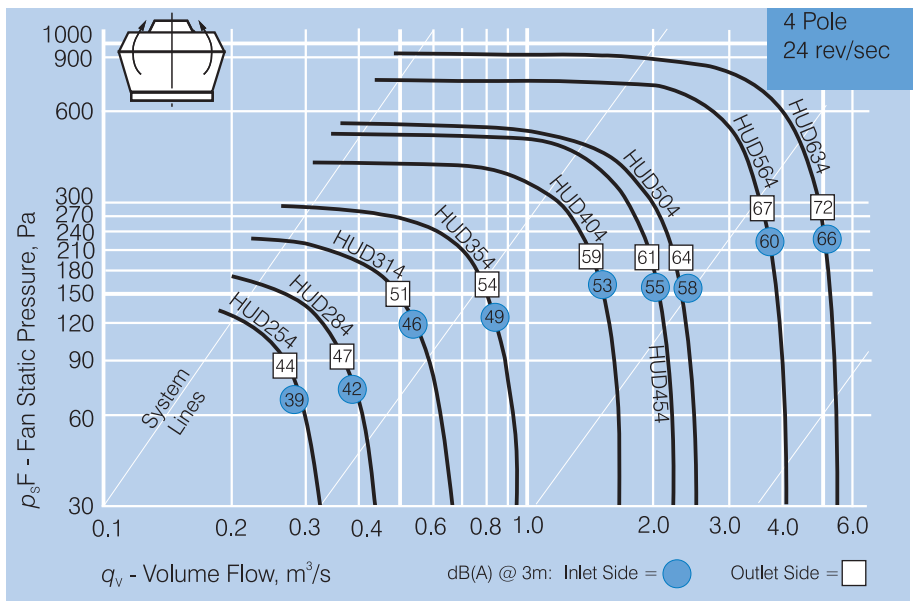
The cowl shall be of galvanised steel unless specified otherwise. Impellers shall be Mixed-Flow design and driven by standard TEFC motors unless specified otherwise.

The windband shall incorporate quick-release toggle clamps to provide easy access for cleaning and maintenance.

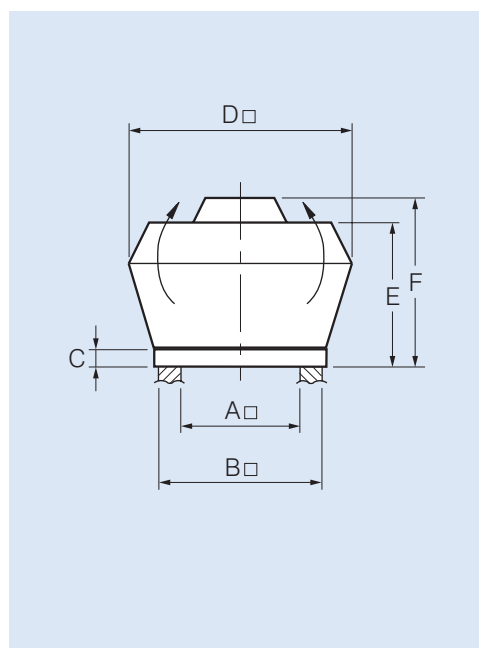
All models shall be fully tested as a complete assembled unit to ISO5801: 2007 for air flow. Noise tests shall be based on ISO13347-3

## TECHNICAL DATA

Model HUD..	Nom. Speed rev/sec	Avg. dB(A) @ 3m		Motor kW Input	Amps
		Inlet Sound	Outlet Sound		
254	25	39	44	0.37	1.02
284	25	43	47	0.37	1.02
314	25	47	51	0.37	1.02
316	16	38	42	0.37	1.18
354	25	50	54	0.37	1.02
356	16	44	48	0.37	1.18
404	25	54	59	1.10	2.68
406	16	45	50	0.37	1.18
454	24	56	61	1.10	2.68
456	16	48	51	0.37	1.18
504	24	59	64	1.50	3.30
506	15	50	54	0.55	1.72
508	11	42	46	0.37	1.35
564	25	61	67	3.00	6.20
566	15	52	55	0.75	2.00
568	10	44	48	0.37	1.35
634	24	66	72	5.50	10.60
636	16	53	58	1.50	3.70
638	11	48	52	0.55	2.08



## DIMENSIONS



Model HUD..	Dimensions, mm						Approx.* weight kg.
	A□	B□	C	D□	E	F	
254							20
284	310	410	50	520	310	540	23
314/6						550	26
354/6	400	500	50	665	420	570	31
404/6						790	53/31
454/6	620	720	60	900	540	820	54/51
504/6/8						850	56/51/51
564/6/8	710	810	60	1160	665	965	97/74/74
634/6/8						1000	140/81/81

\* Unit weights depend on the make of motor used. If critical this should be referred to our sales department at time of order.



Scan the QR Code to view more information online.