

A



HXM-400 model

## DESCRIPTION

The HXM Series of square plate fans is specifically designed for general ventilation exhaust applications.

Suitable for wall mounting only and available in sizes 200 to 400mm for 230V supply.

## Typical Applications

Exhausts from areas such as cafes, bars, commercial premises, wine cellars and small workshops.

## Features

- Finger-proof inlet guard.
- Speed-controllable motors.
- Units HXM-200 to HXM-350 have Class B insulation.
- Unit HXM-400 has Class F insulation.
- IP44 rated.

## Construction

Galvanised pressed steel mounting plate. Corrosion protected by a beige epoxy-polyester finish.

## Motors

Type - capacitor run motors (except size 400).  
 Electricity supply - single-phase, 230V, 50Hz.  
 Bearings - sealed-for-life ball.  
 Speed-controllable.  
 Maximum ambient temperature is 40°C.  
 Sizes 200 to 350 have Class B insulation, IP44.  
 Size 400 has an external rotor motor with Class F insulation, IP44, and wiring in terminal box.  
 See pages O-2/4 for details of these motors.

## Internal Thermal Protection

Units HXM-200 to HXM-350 have thermal protection.  
 Unit HXM-400 has thermal protection and wiring terminal box.

## Wiring Diagram

See Section N

## SUGGESTED SPECIFICATION

The wall fans shall be of the HXM Series as supplied by Fantech Pty Ltd and be of the model numbers shown on the schedule/drawings. The motor shall be IP44 rated and include sealed-for-life bearings.

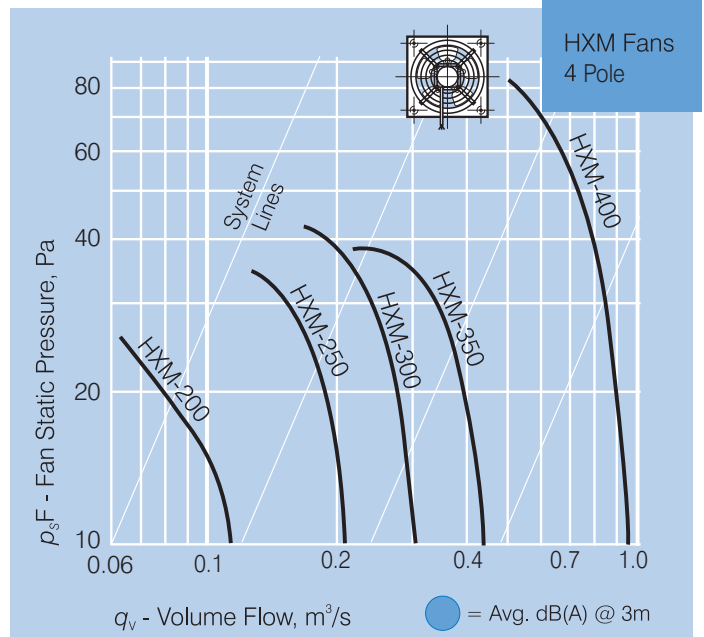


Scan the QR Code to view more information online.



## HOW TO ORDER

Select the fan that exhausts the closest to your requirements. If the performance falls between two models select the fan that handles the most air.

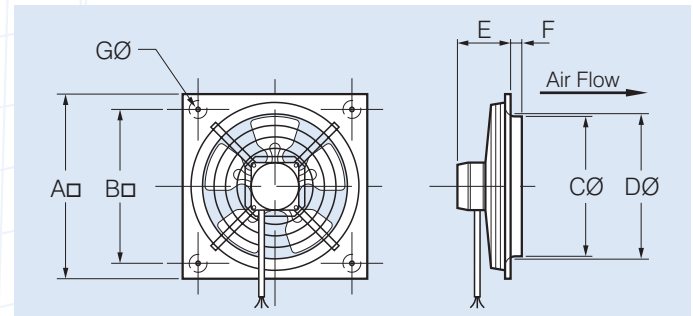


## TECHNICAL DATA

Model Number	Fan Dia. mm	Fan Speed rev/sec	Air Vol. m <sup>3</sup> /s	Avg. dB(A) @3m	HXM.. 1 ph. Watts	1 ph. Amps*	App wt. kg
<b>200</b>	200	22	0.13	29	0.019	0.1	1.7
<b>250</b>	250	23	0.23	34	0.030	0.1	2.5
<b>300</b>	300	23	0.33	41	0.041	0.2	3.1
<b>350</b>	350	22	0.47	46	0.052	0.2	4.4
<b>400</b>	400	21	1.02	49	0.150	0.7	7.3

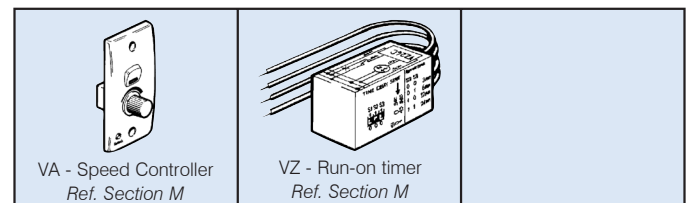
\*Amperages shown are a guide only. Refer to our Sales Department for accurate figures at time of order.

## DIMENSIONS



Model Number	Dimensions, mm			DØ	E	F	GØ
HXM-	A□	B□	CØ	DØ	E	F	GØ
<b>200</b>	266	223	205	211	88	20	10
<b>250</b>	333	276	255	261	99	32	10
<b>300</b>	400	337	305	311	99	36	11
<b>350</b>	465	391	361	371	106	35	11
<b>400</b>	500	420	400	464	122	78	10

## ANCILLARY EQUIPMENT



VA - Speed Controller  
Ref. Section M

VZ - Run-on timer  
Ref. Section M