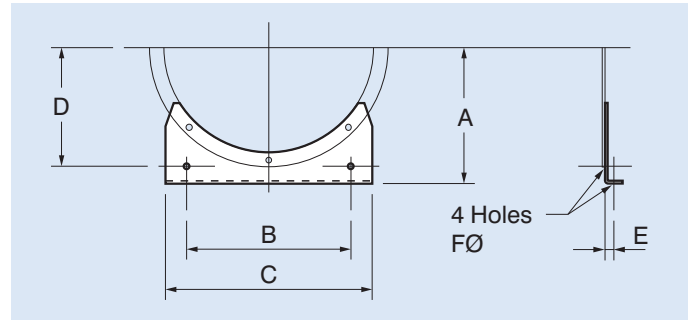


## F/CFT - AXIAL FAN MOUNTING FEET



### FEATURES

All feet are galvanised steel and designed to support the fan and/or attenuator horizontally.

Should the installation require the fans to be installed in a vertical plane please contact Fantech.

Bolt-on feet are generally supplied loose in pairs.

## DIMENSIONS & SELECTION TABLE

### FEET FOR AXIAL FLOW FANS

Axial Fans Model*	Mounting Feet Part No.	Dimensions, mm					
		A	B	C	D	E	FØ
031.	<b>F031</b>	200	265	315	180	25	13
040.	<b>F040</b>	250	350	400	230	25	13
050.	<b>F050</b>	315	450	500	290	25	13
056.	<b>F056</b>	355	510	560	330	25	13
063.	<b>F063</b>	400	580	630	375	25	13
071.	<b>F071</b>	450	660	710	425	25	13
080.	<b>F080</b>	500	750	800	475	25	13
100.	<b>F100</b>	630	950	1000	595	50	15
125.	<b>F125</b>	780	1200	1250	745	50	15
140.	<b>F140</b>	813	1300	1400	773	50	15
160.	<b>F160</b>	950	1500	1600	900	50	15
180.	<b>F180</b>	1050	1700	1800	1000	50	15
200.	<b>F200</b>	1150	1900	2000	1100	50	15

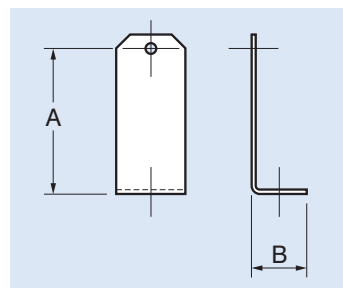
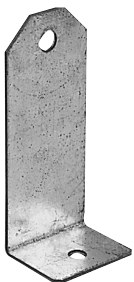
\* Suits adjustable pitch axial fans and associated attenuators.

### FEET FOR SHORT CASE AXIAL FANS

Short Case Model*	Mounting Feet Part No.	Dimensions, mm					
		A	B	C	D	E	FØ
SCD/E.25..	<b>CFT025</b>	175	190	250	160	25	13
SCD/E.31..	<b>CFT031</b>	216	255	315	201	25	13
SCD/E.35..	<b>CFT035</b>	238	255	355	218	25	13
SCD/E.40..	<b>CFT040</b>	267	300	400	247	25	13
SCD/E.45..	<b>CFT045</b>	285	350	450	265	25	13
SCD/E.50..	<b>CFT050</b>	316	400	500	296	25	13
SCD/E.56..	<b>CFT056</b>	391	460	560	371	25	13
SCD/E.63..	<b>CFT063</b>	427	530	630	407	25	13

\* Suits fixed pitch short case axial fans and associated attenuators

## FT - IN-LINE MOUNTING FEET



### FEATURES

These in-line mounting feet are designed to support the assemblies in a horizontal plane. If feet are required to support the fans in a vertical plane please contact Fantech.

Four pieces make up a set.

## DIMENSIONS & SELECTION TABLE

PowerLine & Powerline			Dimensions, mm	
Ultra Model PCD/E...	Multiflow Model MMD/E...	In-line Foot Part No.	A	B
25./50.	31./50.	<b>FT2</b>	105	40
56./71.	56./80.	<b>FT3</b>	120	60